

To our customers,

---

## Old Company Name in Catalogs and Other Documents

---

On April 1<sup>st</sup>, 2010, NEC Electronics Corporation merged with Renesas Technology Corporation, and Renesas Electronics Corporation took over all the business of both companies. Therefore, although the old company name remains in this document, it is a valid Renesas Electronics document. We appreciate your understanding.

Renesas Electronics website: <http://www.renesas.com>

April 1<sup>st</sup>, 2010  
Renesas Electronics Corporation

Issued by: Renesas Electronics Corporation (<http://www.renesas.com>)

Send any inquiries to <http://www.renesas.com/inquiry>.

Not recommended  
for new design

## Notice

1. All information included in this document is current as of the date this document is issued. Such information, however, is subject to change without any prior notice. Before purchasing or using any Renesas Electronics products listed herein, please confirm the latest product information with a Renesas Electronics sales office. Also, please pay regular and careful attention to additional and different information to be disclosed by Renesas Electronics such as that disclosed through our website.
2. Renesas Electronics does not assume any liability for infringement of patents, copyrights, or other intellectual property rights of third parties by or arising from the use of Renesas Electronics products or technical information described in this document. No license, express, implied or otherwise, is granted hereby under any patents, copyrights or other intellectual property rights of Renesas Electronics or others.
3. You should not alter, modify, copy, or otherwise misappropriate any Renesas Electronics product, whether in whole or in part.
4. Descriptions of circuits, software and other related information in this document are provided only to illustrate the operation of semiconductor products and application examples. You are fully responsible for the incorporation of these circuits, software, and information in the design of your equipment. Renesas Electronics assumes no responsibility for any losses incurred by you or third parties arising from the use of these circuits, software, or information.
5. When exporting the products or technology described in this document, you should comply with the applicable export control laws and regulations and follow the procedures required by such laws and regulations. You should not use Renesas Electronics products or the technology described in this document for any purpose relating to military applications or use by the military, including but not limited to the development of weapons of mass destruction. Renesas Electronics products and technology may not be used for or incorporated into any products or systems whose manufacture, use, or sale is prohibited under any applicable domestic or foreign laws or regulations.
6. Renesas Electronics has used reasonable care in preparing the information included in this document, but Renesas Electronics does not warrant that such information is error free. Renesas Electronics assumes no liability whatsoever for any damages incurred by you resulting from errors in or omissions from the information included herein.
7. Renesas Electronics products are classified according to the following three quality grades: “Standard”, “High Quality”, and “Specific”. The recommended applications for each Renesas Electronics product depends on the product’s quality grade, as indicated below. You must check the quality grade of each Renesas Electronics product before using it in a particular application. You may not use any Renesas Electronics product for any application categorized as “Specific” without the prior written consent of Renesas Electronics. Further, you may not use any Renesas Electronics product for any application for which it is not intended without the prior written consent of Renesas Electronics. Renesas Electronics shall not be in any way liable for any damages or losses incurred by you or third parties arising from the use of any Renesas Electronics product for an application categorized as “Specific” or for which the product is not intended where you have failed to obtain the prior written consent of Renesas Electronics. The quality grade of each Renesas Electronics product is “Standard” unless otherwise expressly specified in a Renesas Electronics data sheets or data books, etc.
  - “Standard”: Computers; office equipment; communications equipment; test and measurement equipment; audio and visual equipment; home electronic appliances; machine tools; personal electronic equipment; and industrial robots.
  - “High Quality”: Transportation equipment (automobiles, trains, ships, etc.); traffic control systems; anti-disaster systems; anti-crime systems; safety equipment; and medical equipment not specifically designed for life support.
  - “Specific”: Aircraft; aerospace equipment; submersible repeaters; nuclear reactor control systems; medical equipment or systems for life support (e.g. artificial life support devices or systems), surgical implantations, or healthcare intervention (e.g. excision, etc.), and any other applications or purposes that pose a direct threat to human life.
8. You should use the Renesas Electronics products described in this document within the range specified by Renesas Electronics, especially with respect to the maximum rating, operating supply voltage range, movement power voltage range, heat radiation characteristics, installation and other product characteristics. Renesas Electronics shall have no liability for malfunctions or damages arising out of the use of Renesas Electronics products beyond such specified ranges.
9. Although Renesas Electronics endeavors to improve the quality and reliability of its products, semiconductor products have specific characteristics such as the occurrence of failure at a certain rate and malfunctions under certain use conditions. Further, Renesas Electronics products are not subject to radiation resistance design. Please be sure to implement safety measures to guard them against the possibility of physical injury, and injury or damage caused by fire in the event of the failure of a Renesas Electronics product, such as safety design for hardware and software including but not limited to redundancy, fire control and malfunction prevention, appropriate treatment for aging degradation or any other appropriate measures. Because the evaluation of microcomputer software alone is very difficult, please evaluate the safety of the final products or system manufactured by you.
10. Please contact a Renesas Electronics sales office for details as to environmental matters such as the environmental compatibility of each Renesas Electronics product. Please use Renesas Electronics products in compliance with all applicable laws and regulations that regulate the inclusion or use of controlled substances, including without limitation, the EU RoHS Directive. Renesas Electronics assumes no liability for damages or losses occurring as a result of your noncompliance with applicable laws and regulations.
11. This document may not be reproduced or duplicated, in any form, in whole or in part, without prior written consent of Renesas Electronics.
12. Please contact a Renesas Electronics sales office if you have any questions regarding the information contained in this document or Renesas Electronics products, or if you have any other inquiries.

(Note 1) “Renesas Electronics” as used in this document means Renesas Electronics Corporation and also includes its majority-owned subsidiaries.

(Note 2) “Renesas Electronics product(s)” means any product developed or manufactured by or for Renesas Electronics.

## SWITCHING REGULATOR CONTROL CIRCUIT FOR 500 kHz OPERATION

$\mu$ PC1099 is a control IC for the high performance switching power supply equipped with high speed/high sensitivity protection circuit. Control ICs for the high performance switching power supply have 3 series of  $\mu$ PC1099, 1905, 1906. The features of  $\mu$ PC1099 are as follows:

Low voltage start up (11 V TYP.) → Suited for flyback mode converter, DC-DC converter, etc.

### CONTROL IC FAMILY FOR THE HIGH PERFORMANCE SWITCHING POWER SUPPLY

PART NUMBER	SUPPLY VOLTAGE	START-UP THRESHOLD VOLTAGE	THRESHOLD HYSTERESIS	OVER CURRENT LATCH PROTECTION MODE
$\mu$ PC1099	26 V	11 V	3 V	Pulse by pulse current limiting
$\mu$ PC1905	31 V	16.5 V	6.5 V	Pulse by pulse current limiting
$\mu$ PC1906	31 V	16.5 V	6.5 V	Shut down and $V_{CC}$ reset

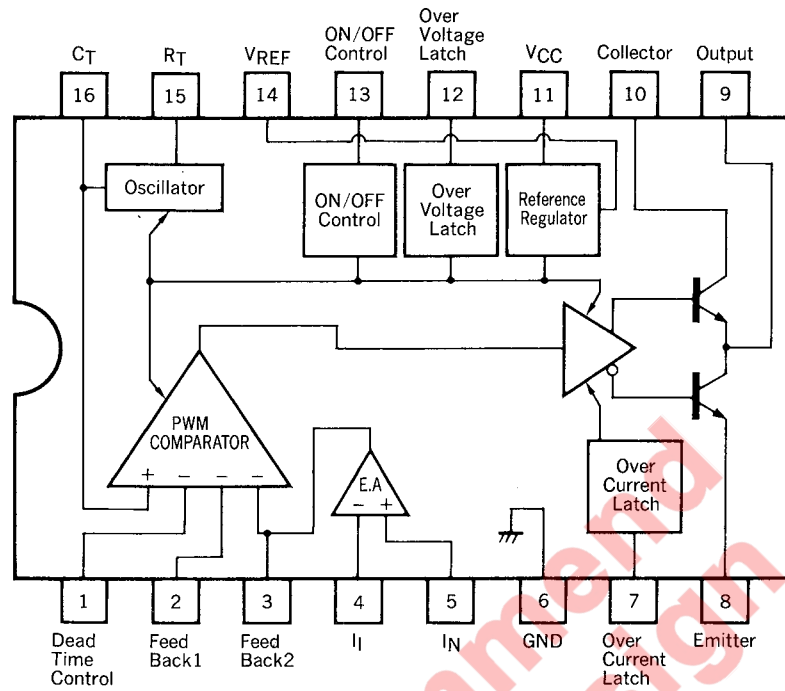
### FEATURES

- Directly drive power MOS FET (totem pole circuit adopted)
- Pulse by pulse over current latch circuit incorporated
- Over voltage latch circuit incorporated
- Under voltage lockout circuit incorporated
- Remote control circuit incorporated
- Error amplifier incorporated

PART NUMBER	PACKAGE	QUALITY GRADE
$\mu$ PC1099CX	16 pin plastic DIP (300 mil)	Standard
$\mu$ PC1099GS	16 pin plastic SOP (300 mil)	

Please refer to "Quality grade on NEC Semiconductor Devices" (Document number IEI-1209) published by NEC Corporation to know the specification of quality grade on the devices and its recommended applications.

PIN CONNECTION DIAGRAM (Top View)



Not recommended for new designs

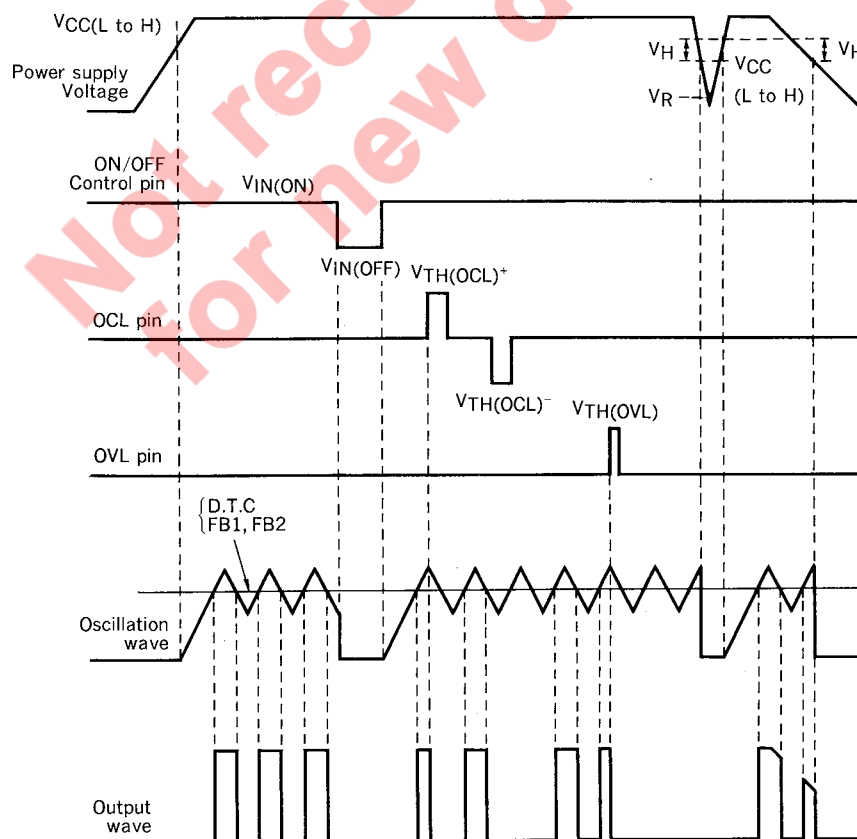
ABSOLUTE MAXIMUM RATING (T<sub>a</sub> = 25 °C)

PARAMETER		SYMBOL	RATING	UNIT
Supply Voltage		V <sub>CC</sub>	26	V
Output Voltage		V <sub>C</sub>	26	V
Output Current		I <sub>C</sub> (DC)	100	mA
Peak Output Current		I <sub>C</sub> (peak)	1.2	A
Total Power Dissipation	μPC1099CX	P <sub>T</sub> (T <sub>a</sub> = 25 °C)	1 000	mW
	μPC1099GS	P <sub>T</sub> (T <sub>a</sub> = 25 °C)	694	mW
Operation Temperature		T <sub>opt</sub>	-20 to +85	°C
Storage Temperature		T <sub>stg</sub>	-55 to +150	°C

RECOMMENDED OPERATION REQUIREMENTS

PARAMETER	SYMBOL	MIN.	TYP.	MAX.	UNIT
Supply Voltage	V <sub>CC</sub>	11.5	15	24	V
Oscillation Frequency	f <sub>OSC</sub>	50	200	500	kHz
Output Load Capacitance	C <sub>L</sub>	—	2 200	3 000	pF

OPERATION WAVES



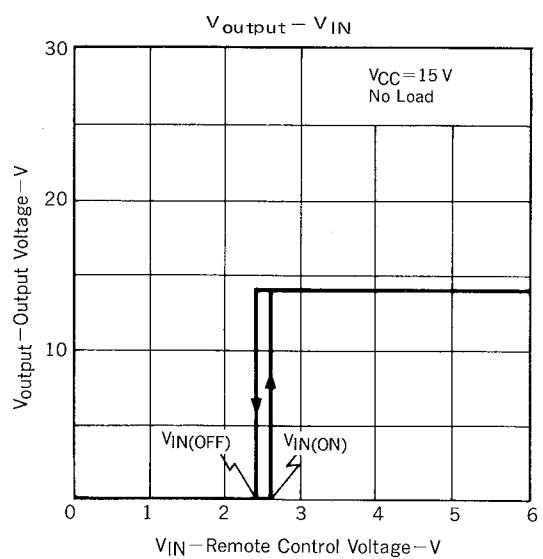
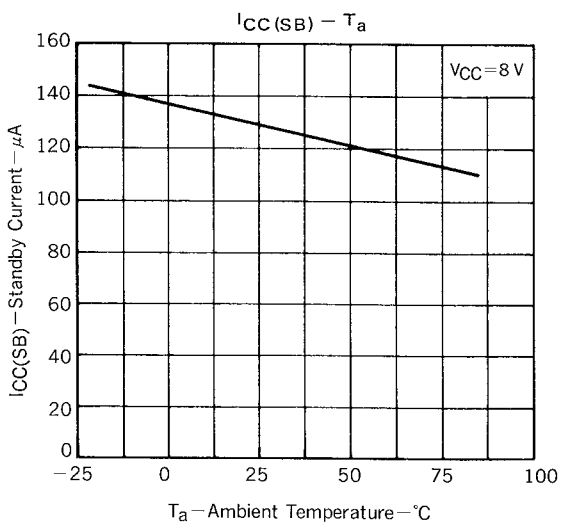
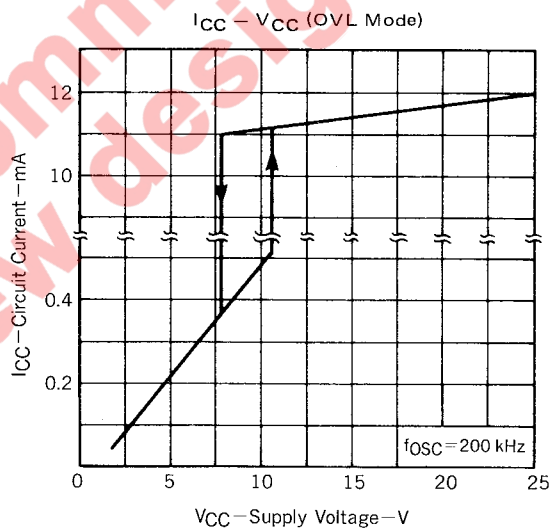
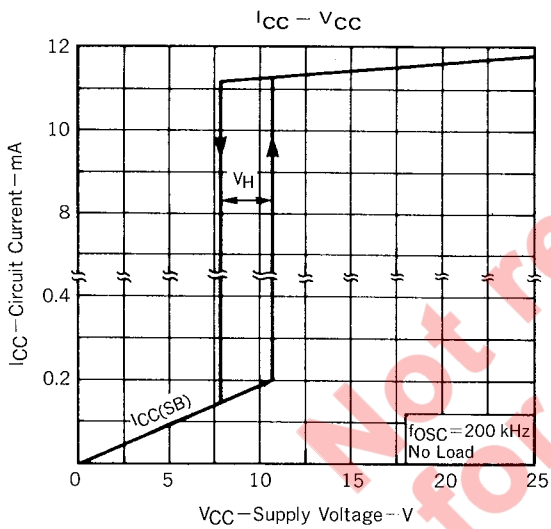
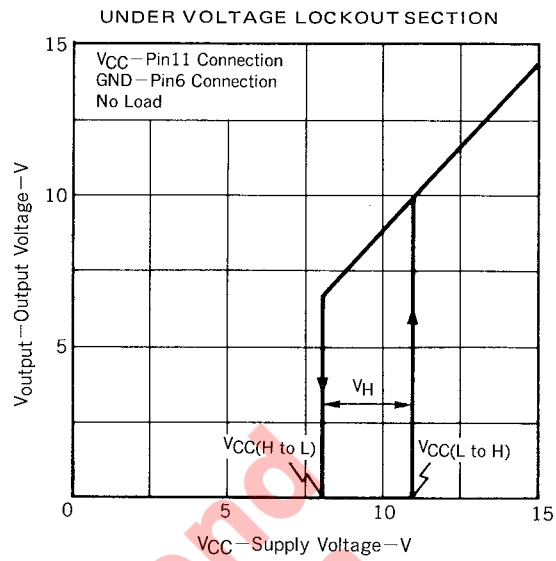
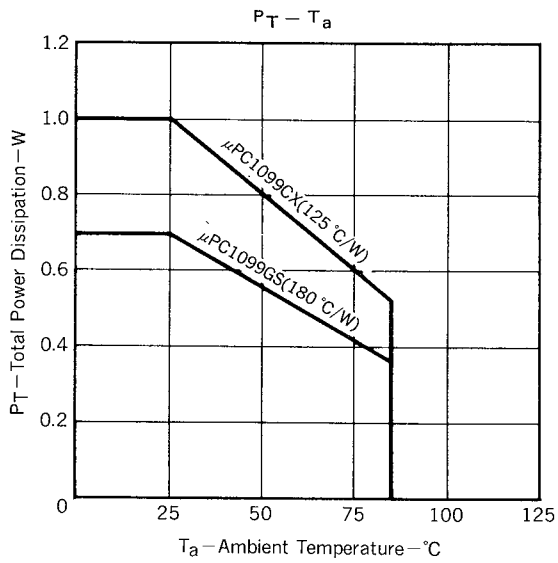
ELECTRICAL CHARACTERISTICS ( $T_a = 25^\circ\text{C}$ ,  $V_{CC} = 15\text{V}$ ,  $C_T = 470\text{pF}$ ,  $R_T \cong 10\text{k}\Omega$ ,  $f_{OSC} = 200\text{kHz}$ )

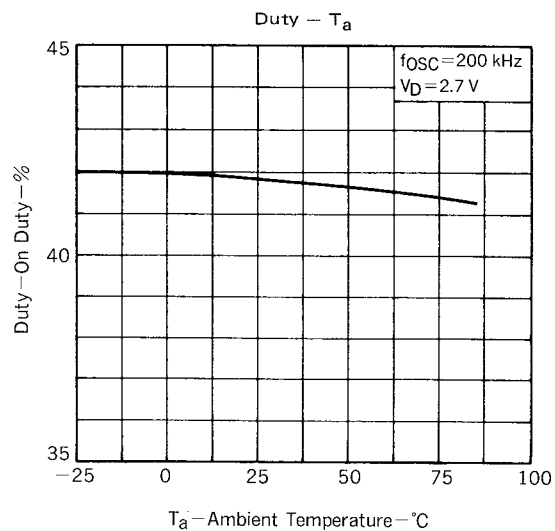
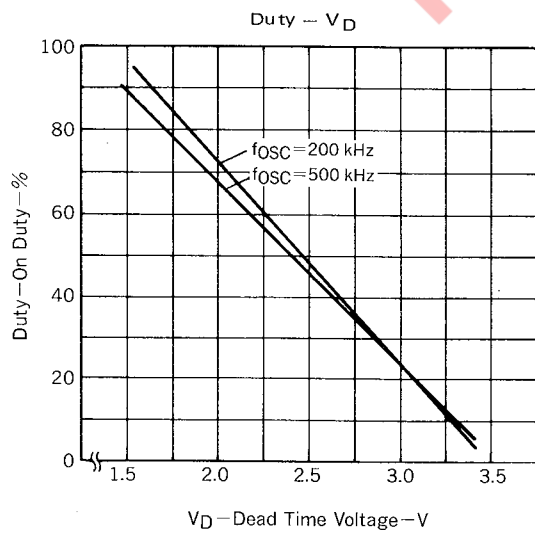
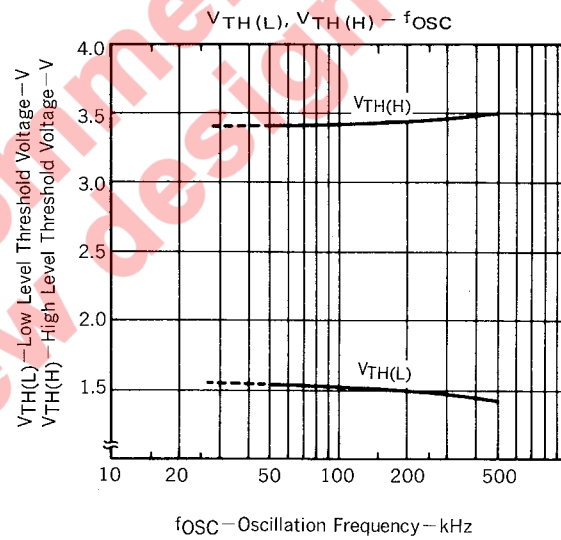
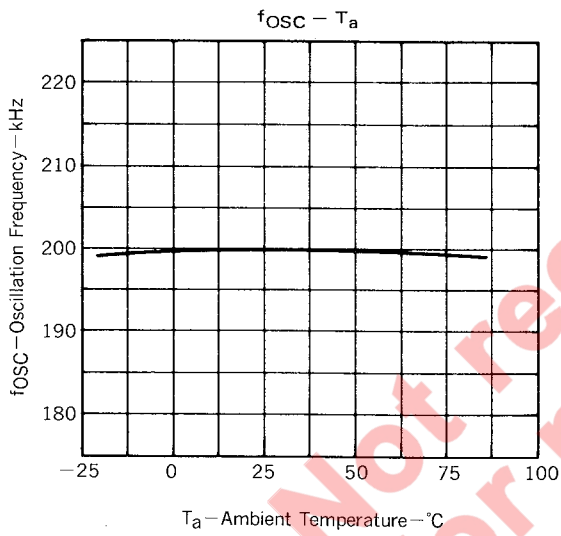
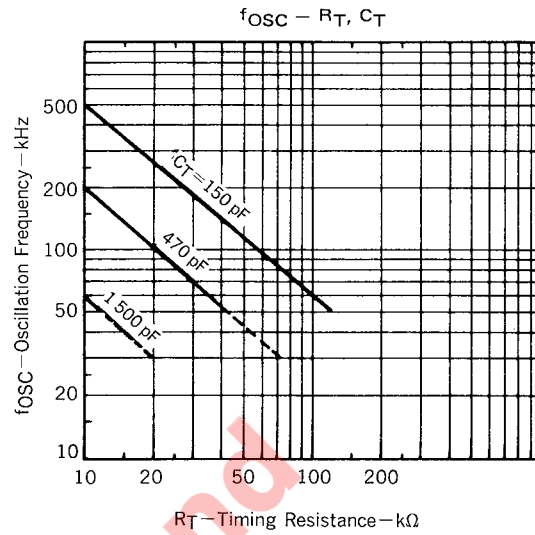
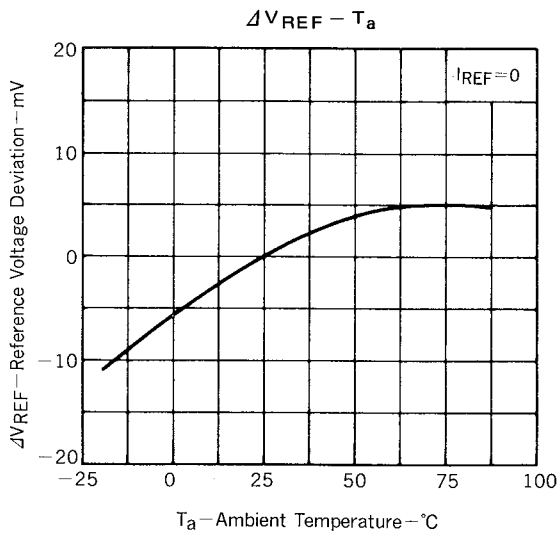
BLOCK	PARAMETER	SYMBOL	MIN.	TYP.	MAX.	UNIT	CONDITIONS
Total	Standby Current	$I_{CC(SB)}$	0.05	0.1	0.2	mA	$V_{CC} = 8\text{V}$ , $-10^\circ\text{C} \leq T_a \leq 85^\circ\text{C}$
	Circuit Current at OVL Operation Mode	$I_{CC(OVL)}$		10		mA	
	Circuit Current at Off Mode	$I_{CC(OFF)}$		10		mA	
	Circuit Current	$I_{CC}$		10	15	mA	$V_{CC} = V_C = 24\text{V}$ , $V_D = 2.7\text{V}$ , no load
Under Voltage Lockout Section	Start-Up Threshold Voltage	$V_{CC(L\text{ to }H)}$	10.5	11	11.5	V	
	Threshold Hysteresis	$V_H$	2.8	3	3.2	V	
Reference Voltage Section	Output Voltage	$V_{REF}$	4.8	5	5.2	V	$I_{REF} = 0$
	Line Regulation	$REG_{IN}$		1	10	mV	$11.5\text{V} \leq V_{CC} \leq 20\text{V}$ , $I_{REF} = 0$
	Load Regulation	$REG_L$		6.5	12	mV	$0 \leq I_{REF} \leq 3\text{mA}$
	Output Voltage Temperature Coefficient	$V_{REF}/\Delta T$		400	700	$\mu\text{V}/^\circ\text{C}$	$I_{REF} = 0$ , $-10^\circ\text{C} \leq T_a \leq +85^\circ\text{C}$
	Short Circuit Current	$I_{O\text{ short}}$		13		mA	$V_{REF} = 0$
PWM Section	Input Bias Current	$I_B$			10	$\mu\text{A}$	
	Low Level Threshold Voltage	$V_{TH(L)}$		1.5		V	
	High Level Threshold Voltage	$V_{TH(H)}$		3.5		V	
	Dead Time Temperature Coefficient	$\Delta DT/\Delta T$		3		%	$V_D = 0.54 V_{REF}$ , $-10^\circ\text{C} \leq T_a \leq +85^\circ\text{C}$
Oscillator Section	Oscillation Frequency	$f_{OSC}$	180	200	220	kHz	
	Frequency Line Regulation	$\Delta f/\Delta V_{CC}$		1		%	$11.5\text{V} \leq V_{CC} \leq 24\text{V}$
	Frequency Temperature Coefficient	$\Delta f/\Delta T$		2	5	%	$-10^\circ\text{C} \leq T_a \leq +85^\circ\text{C}$
Output Section	Low Level Output Voltage	$V_{OL}$			0.5	V	$I_{SINK} = 3\text{mA}$ , $V_{CC} = V_C$
	High Level Output Voltage	$V_{OH}$		$V_{CC}-1.6$		V	$I_{SOURCE} = 30\text{mA}$ , $V_{CC} = V_C$
	Output Voltage Rise Time	$t_r$		60		ns	$R_L = 15\Omega$ , $C_L = 2\text{200 pF}$
	Output Voltage Fall Time	$t_f$		40		ns	$V_{CC} = V_C$
Remote Control Section	Input Voltage at Output ON	$V_{IN(ON)}$	2.4	2.6	2.8	V	
	Input Voltage at Output OFF	$V_{IN(OFF)}$	2.2	2.4	2.6	V	
	Hysteresis Width	$V_H$	0.1	0.2	0.3	V	
Over Voltage Latch Section	Over Voltage Threshold Voltage	$V_{TH(OVL)}$	2.0	2.4	2.8	V	$-10^\circ\text{C} \leq T_a \leq +85^\circ\text{C}$
	Input Bias Current	$I_B(OVL)$			4	$\mu\text{A}$	OVL pin voltage = $V_{TH(OVL)}$
	OVL Reset Voltage	$V_R(OVL)$		2		V	
	Delay to Output	$t_d(OVL)$		750		ns	
Over Current Latch Section	Over Current Threshold Voltage	$V_{TH(OCL)}^+$	200	220	240	mV	$-10^\circ\text{C} \leq T_a \leq +85^\circ\text{C}$
	Over Current Threshold Voltage	$V_{TH(OCL)}^-$	-230	-210	-190	mV	$-10^\circ\text{C} \leq T_a \leq +85^\circ\text{C}$
	OCL Pin Output Current	$I_B(OCL)$		250		$\mu\text{A}$	
	Delay to Output	$t_d(OCL)^+$		120		ns	
	Delay to Output	$t_d(OCL)^-$		160		ns	

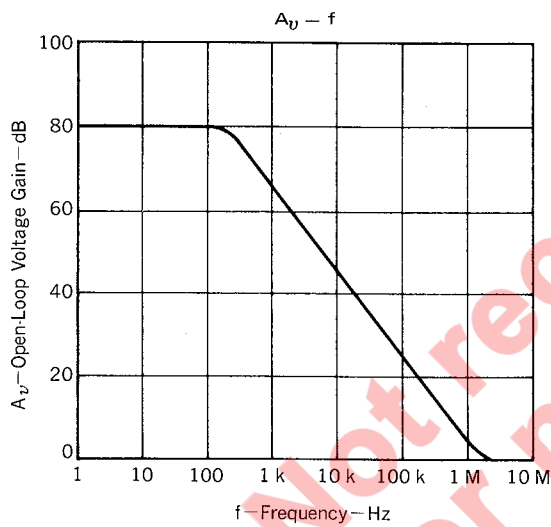
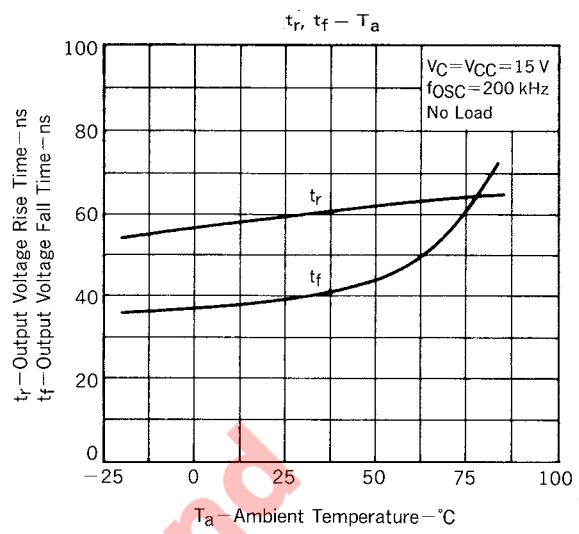
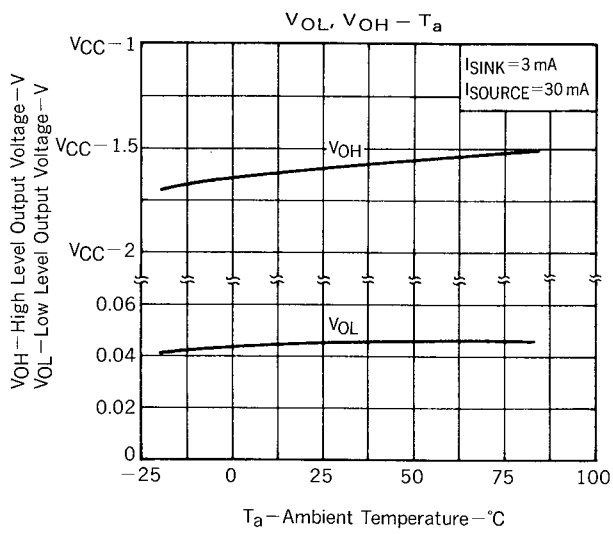
BLOCK	PARAMETER	SYMBOL	MIN.	TYP.	MAX.	UNIT	CONDITIONS
Error Amplifier Section	Input Bias Current	$I_B$ (AMP)			1	μA	$V_{IN} = 2.5 V$
	Open-Loop Voltage Gain	$A_v$	60	80		dB	$V_{FB} = 2.9 V$
	Unit Gain Bandwidth	$f_{unity}$	1	1.6		MHz	
	High Level Output Voltage	$V_{om+}$	3.0			V	
	Low Level Output Voltage	$V_{om-}$			1.0	V	
	Common Mode Input Voltage Range	$V_{ICM+}$	3			V	$11.5 V \leq V_{CC} \leq 24 V,$
	Common Mode Input Voltage Range	$V_{ICM-}$			-0.3	V	$-10^\circ C \leq T_a \leq +85^\circ C$

Not recommend  
for new design

TYPICAL CHARACTERISTICS ( $T_a = 25^\circ\text{C}$ ,  $V_{CC} = 15\text{ V}$ )

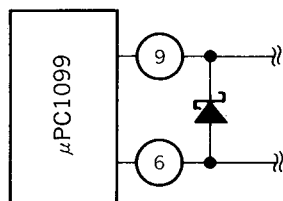






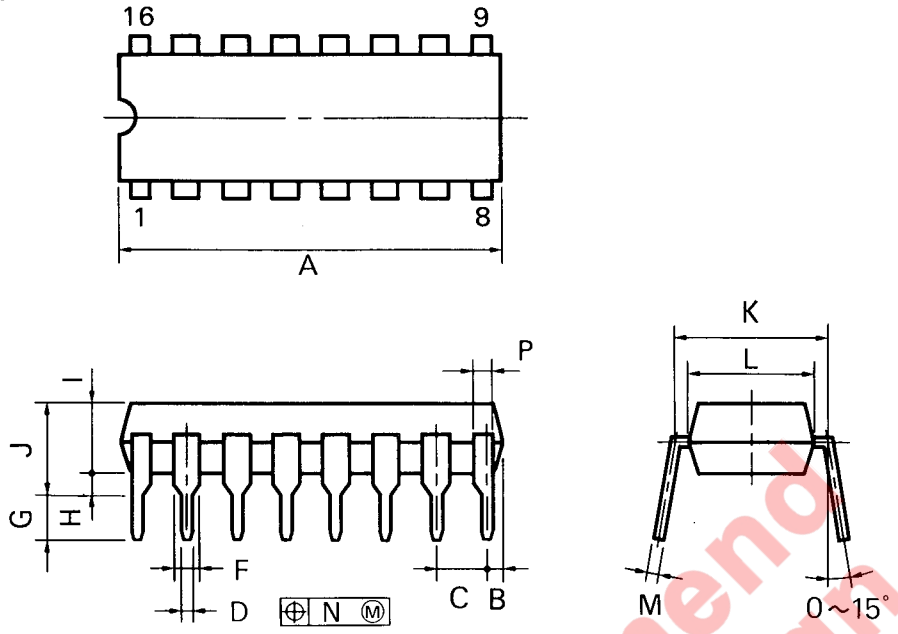
NOTE: When under-shoot voltage at pin 9 occurs, it must be cramped to prevent from wrong operation. See Fig. 1.

Fig. 1



16PIN PLASTIC DIP (300 mil)

μPC1099CX



P16C-100-300B

NOTES

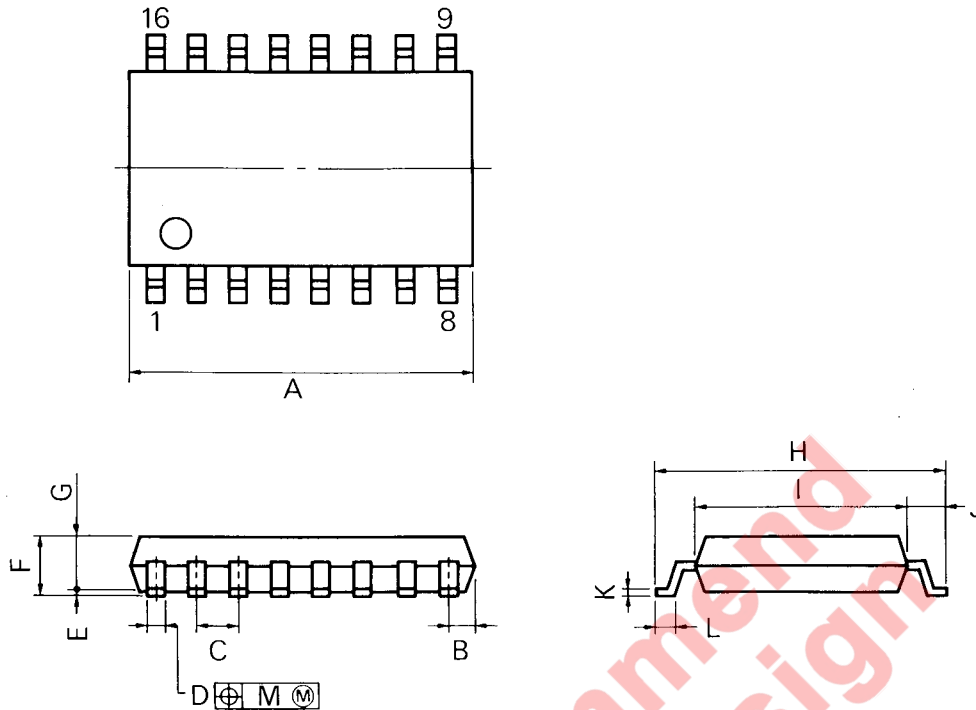
- 1) Each lead centerline is located within 0.25 mm (0.01 inch) of its true position (T.P.) at maximum material condition.
- 2) Item "K" to center of leads when formed parallel.

ITEM	MILLIMETERS	INCHES
A	20.32 MAX.	0.800 MAX.
B	1.27 MAX.	0.050 MAX.
C	2.54 (T.P.)	0.100 (T.P.)
D	0.50 <sup>+0.10</sup>	0.020 <sup>+0.004</sup> <sub>-0.005</sub>
F	1.1 MIN.	0.043 MIN.
G	3.5 <sup>+0.3</sup>	0.138 <sup>+0.012</sup>
H	0.51 MIN.	0.020 MIN.
I	4.31 MAX.	0.170 MAX.
J	5.08 MAX.	0.200 MAX.
K	7.62 (T.P.)	0.300 (T.P.)
L	6.5	0.256
M	0.25 <sup>+0.10</sup> <sub>-0.05</sub>	0.010 <sup>+0.004</sup> <sub>-0.003</sub>
N	0.25	0.01
P	1.1 MIN.	0.043 MIN.

Not recommended for new design

16PIN PLASTIC SOP (300 mil)

μPC1099GS



P16GM-50-300B-1

NOTE

Each lead centerline is located within 0.12 mm (0.005 inch) of its true position (T.P.) at maximum material condition.

ITEM	MILLIMETERS	INCHES
A	10.46 MAX.	0.412 MAX.
B	0.78 MAX.	0.031 MAX.
C	1.27 (T.P.)	0.050 (T.P.)
D	0.40 <sup>+0.10</sup> <sub>-0.05</sub>	0.016 <sup>+0.004</sup> <sub>-0.003</sub>
E	0.1 <sup>±0.1</sup>	0.004 <sup>±0.004</sup>
F	1.8 MAX.	0.071 MAX.
G	1.55	0.061
H	7.7 <sup>±0.3</sup>	0.303 <sup>±0.012</sup>
I	5.6	0.220
J	1.1	0.043
K	0.20 <sup>+0.10</sup> <sub>-0.05</sub>	0.008 <sup>+0.004</sup> <sub>-0.002</sub>
L	0.6 <sup>±0.2</sup>	0.024 <sup>+0.008</sup> <sub>-0.009</sub>
M	0.12	0.005

**RECOMMENDED SOLDERING CONDITIONS**

The following conditions (see table below) must be set when soldering this product.

Please consult with our sales offices in case other soldering process is used, or in case soldering is done under different conditions.

**TYPES OF SURFACE MOUNT DEVICE**

For more details, refer to our document "SEMICONDUCTOR DEVICE MOUNTING TECHNOLOGY MANUAL" (IEI-1207).

μPC1099GS

Soldering process	Soldering conditions	Symbol
Infrared ray reflow	Peak package's surface temperature : 230 °C or below, Reflow time : 30 seconds or below (210 °C or higher), Number of reflow process : 1, Exposure limit* : None	IR30-00-1
VPS	Peak package's surface temperature : 215 °C or below, Reflow time : 40 seconds or below (200 °C or higher), Number of reflow process : 1, Exposure limit* : None	VP15-00-1

\* : Exposure limit before soldering after dry-pack package is opened.  
Storage conditions : 25 °C and relative humidity at 65 % or less.

**Note:** Do not apply more than a single process at once, except for "Partial heating method".

**TYPES OF THROUGH HOLE MOUNT DEVICE**

μPC1099CX

Soldering process	Soldering conditions	Symbol
Wave soldering	Solder temperature : 260 °C or below, Flow time : 10 seconds or below	

[MEMO]

No part of this document may be copied or reproduced in any form or by any means without the prior written consent of NEC Corporation. NEC Corporation assumes no responsibility for any errors which may appear in this document.

NEC Corporation does not assume any liability for infringement of patents, copyrights or other intellectual property rights of third parties by or arising from use of a device described herein or any other liability arising from use of such device. No license, either express, implied or otherwise, is granted under any patents, copyrights or other intellectual property rights of NEC Corporation or others.

The devices listed in this document are not suitable for use in the field where very high reliability is required including, but not limited to, aerospace equipment, submarine cables, nuclear reactor control systems and life support systems. If customers intend to use NEC devices for above applications or those intend to use "Standard" quality grade NEC devices for the application not intended by NEC, please contact our sales people in advance.

Application examples recommended by NEC Corporation

- Standard: Computer, Office equipment, Communication equipment, Test and Measurement equipment, Machine tools, Industrial robots, Audio and Visual equipment, Other consumer products, etc.
- Special: Automotive and Transportation equipment, Traffic control systems, Antidisaster systems, Anti-crime systems, etc.