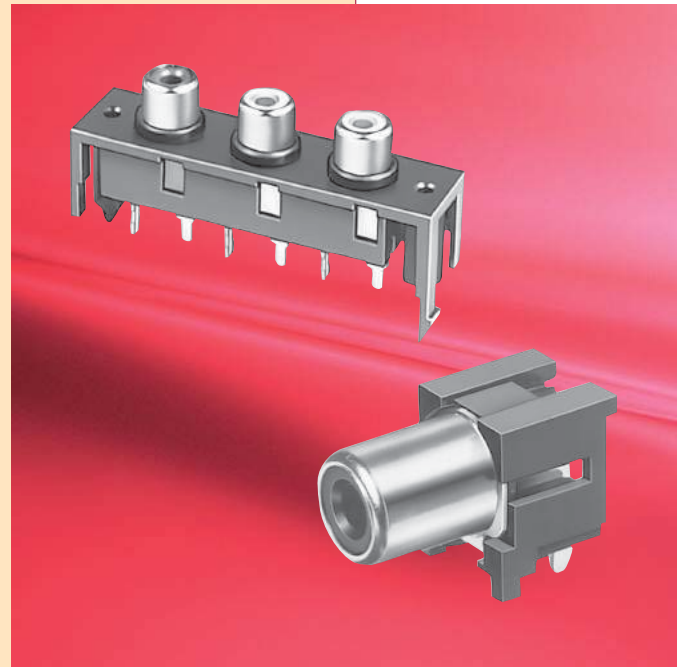


Pin Jacks

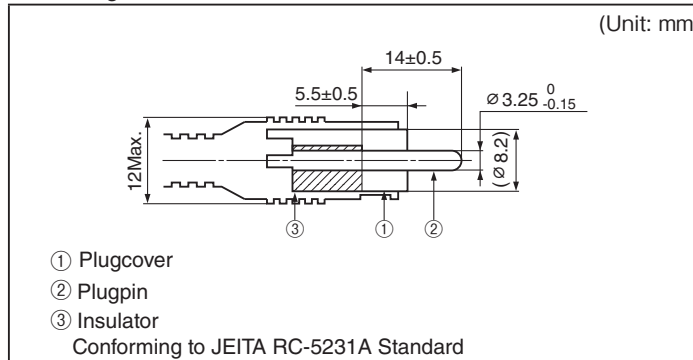


Contents	1
Product Lineup	2 - 4
Single Pin Jacks	
Horizontal Type	5 - 6
Vertical Type	7
Dual Pin Jacks	
Horizontal Type	8
Vertical Type	9 - 10
Triple Pin Jacks	
Horizontal Type	11
Vertical Type	12

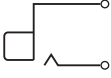
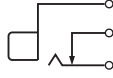
Specifications

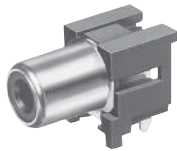
Contact Resistance	Between Plug and Terminals	30mΩ max.
	Switch Part	30mΩ max.
Insulation Resistance		100MΩ min. at 500V DC
Withstanding Voltage		500V AC (r.m.s.) for 1 minute
Insertion Force		30N max.
Withdrawal Force		1N - 15N

Mate Plug



Single Pin Jacks Horizontal Type

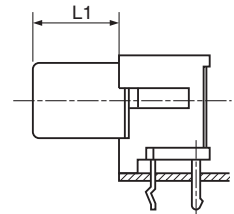
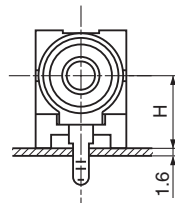
H (mm)	L1 (mm)	Shape	Schematic	
				
6.5	9.5	①	JPJ2025	JPJ1025
		②	JPJ1225	JPJ1125
8	9.5	①	JPJ2018	JPJ1018



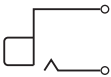
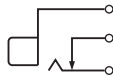
①

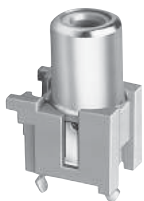


②

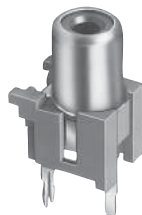


Single Pin Jacks Vertical Type

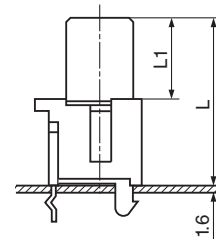
L (mm)	L1 (mm)	Shape	Schematic	
				
19.5	9.5	①	JPJ2022	JPJ1022
23.5		②	JPJ0870	JPJ0871



①

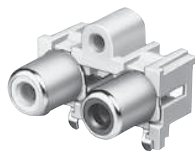


②

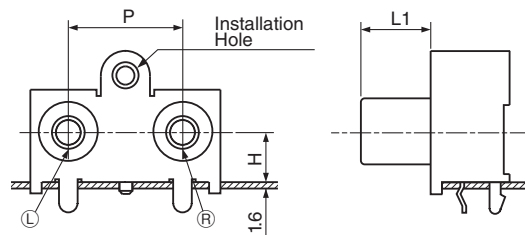


Dual Pin Jacks Horizontal Type

H (mm)	P (mm)	L1 (mm)	Shape	Installation Hole	Schematic			
					Ⓛ Ⓡ	Ⓛ Ⓡ	Ⓛ Ⓡ	Ⓛ Ⓡ
6.5	15	9.5	①	○	JPJ1611	JPJ1621	JPJ1612	JPJ1622
				—	JPJ0811	—	JPJ0812	JPJ0822
○				JPJ2811	—	—	JPJ2822	
—				JPJ1811	—	—	—	

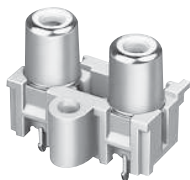


①

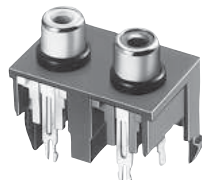


Dual Pin Jacks Vertical Type

L (mm)	L1 (mm)	Shape	Plastic Hooks	Installation Hole	Insulation Ring	Schematic			
						Ⓛ Ⓡ	Ⓛ Ⓡ	Ⓛ Ⓡ	Ⓛ Ⓡ
19.5	9.5	①	—	○	—	JPJ3911	JPJ3921	JPJ3912	—
			—	—	—	JPJ3811	JPJ3821	JPJ3812	JPJ3822
23.5	8.5	②*	○	○	○	JPJ2082	JPJ1081	JPJ0873	JPJ1082
			○	○	○	JPJ1151	JPJ1154	JPJ1153	JPJ1152
			○	○	—	JPJ1161	—	—	—



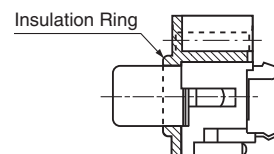
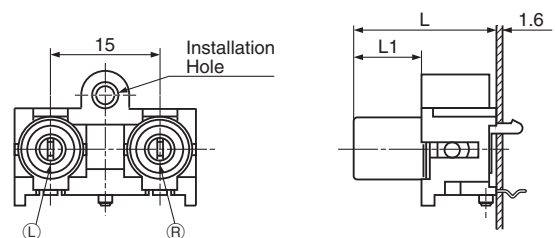
①



②



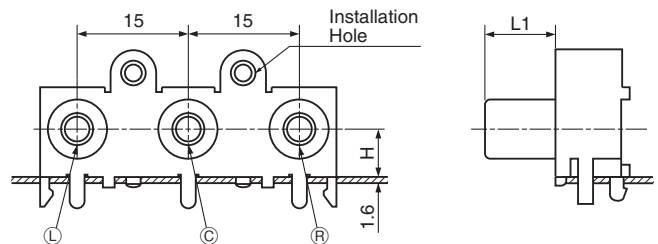
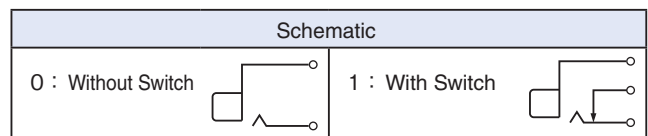
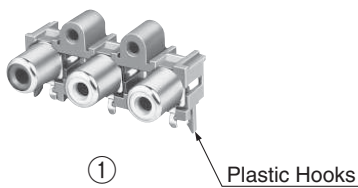
③



② For detailed specification, please contact us.

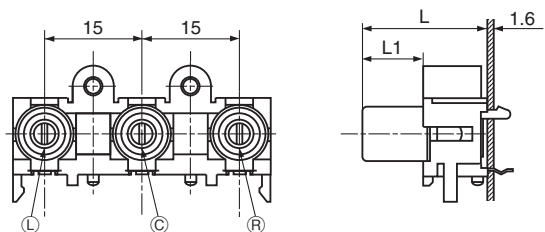
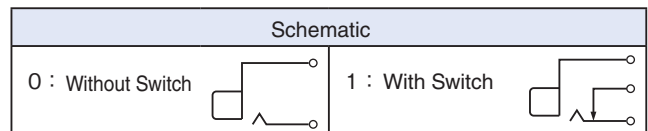
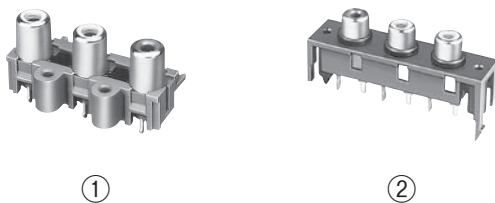
Triple Pin Jacks Horizontal Type

H (mm)	L1 (mm)	Shape	Plastic Hooks	Installation Hole	Schematic								
					L C R 1 1 0	L C R 1 0 1	L C R 1 0 0	L C R 0 1 1	L C R 0 1 0	L C R 0 0 1	L C R 1 1 1	L C R 0 0 0	
6.5	9.5	①	○	○	-	-	JPJ4663	-	-	JPJ4666	JPJ4667	JPJ4668	
				-	JPJ3661	JPJ3662	JPJ3663	-	-	JPJ3666	JPJ3667	JPJ3668	
○				-	-	-	-	-	-	-	JPJ4648		
-				-	-	-	-	-	-	-	JPJ3648		



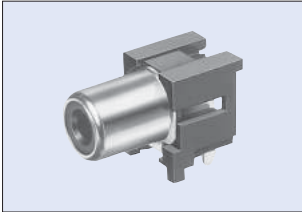
Triple Pin Jacks Vertical Type

L (mm)	L1 (mm)	Shape	Plastic Hooks	Installation Hole	Insulation Ring	Schematic					
						L C R 1 1 0	L C R 1 0 0	L C R 0 1 1	L C R 0 0 1	L C R 1 1 1	L C R 0 0 0
19.5	9.5	①	-	-	-	JPJ3651	JPJ3653	-	JPJ3656	JPJ3657	JPJ3658
			-	○	-	-	-	-	JPJ4657	JPJ4658	
23.5	8.5	②	○	○	○	-	JPJ1456	-	JPJ1453	JPJ1452	JPJ1451
			○	○	-	-	-	-	-	JPJ1461	

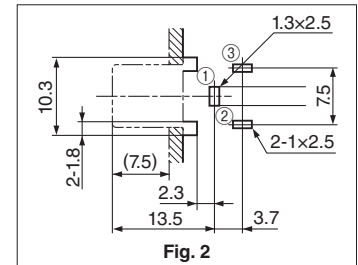
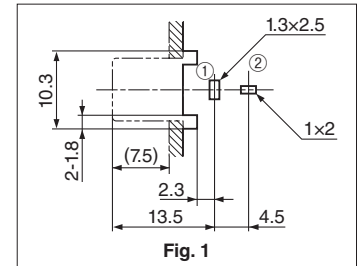
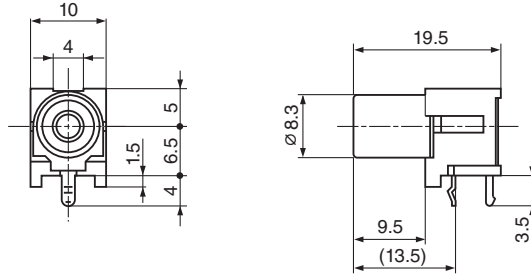


JPJ2025*

*JPJ1025 : See table.



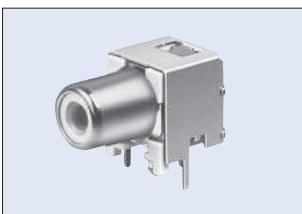
H=6.5mm



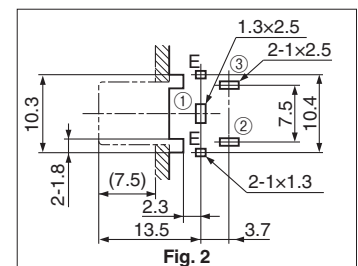
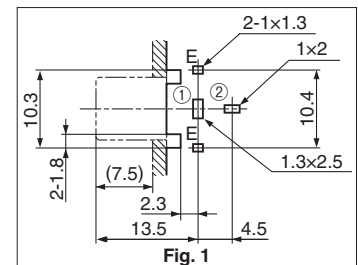
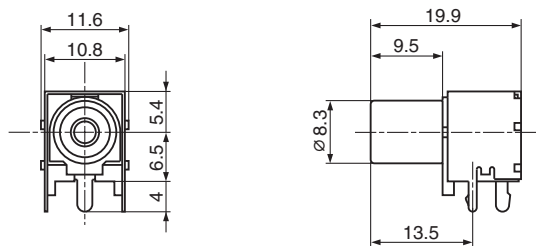
Model No.		Housing Color	Schematic	Hole Layout (Bottom view)
Cover Ni Plated	Cover Au Plated			
JPJ2025-01-010	JPJ2025-01-810	Black		Fig. 1
JPJ2025-01-020	JPJ2025-01-820	Red		
JPJ2025-01-030	JPJ2025-01-830	White		
JPJ2025-01-040	JPJ2025-01-840	Yellow		
JPJ1025-01-010	JPJ1025-01-810	Black		Fig. 2
JPJ1025-01-020	JPJ1025-01-820	Red		
JPJ1025-01-030	JPJ1025-01-830	White		
JPJ1025-01-040	JPJ1025-01-840	Yellow		

JPJ1225*

*JPJ1125 : See table.



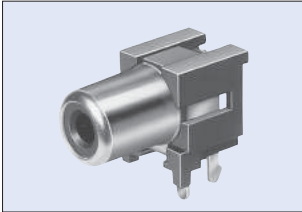
H=6.5mm



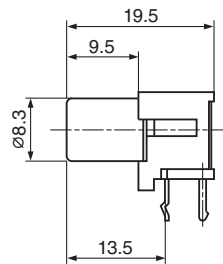
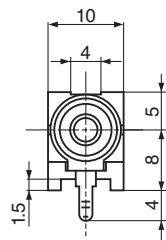
Model No.		Housing Color	Schematic	Hole Layout (Bottom view)
Cover Ni Plated	Cover Au Plated			
JPJ1225-01-010	JPJ1225-01-810	Black		Fig. 1
JPJ1225-01-020	JPJ1225-01-820	Red		
JPJ1225-01-030	JPJ1225-01-830	White		
JPJ1225-01-040	JPJ1225-01-840	Yellow		
JPJ1125-01-010	JPJ1125-01-810	Black		Fig. 2
JPJ1125-01-020	JPJ1125-01-820	Red		
JPJ1125-01-030	JPJ1125-01-830	White		
JPJ1125-01-040	JPJ1125-01-840	Yellow		

JPJ2018*

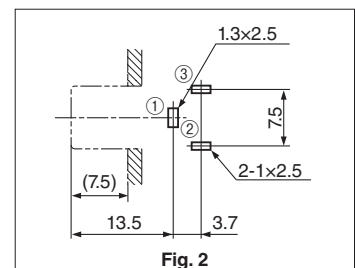
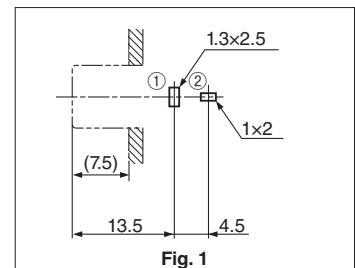
*JPJ1018 : See table.



H=8mm

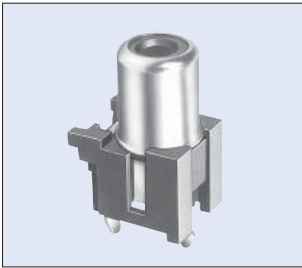
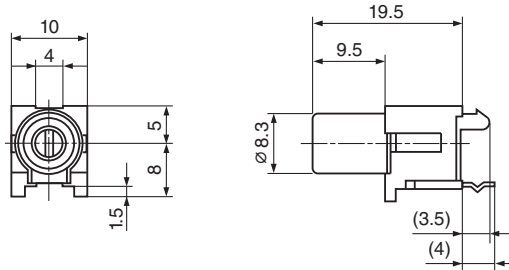


Model No.		Housing Color	Schematic	Hole Layout (Bottom view)
Cover Ni Plated	Cover Au Plated			
JPJ2018-01-010	JPJ2018-01-810	Black		Fig. 1
JPJ2018-01-020	JPJ2018-01-820	Red		
JPJ2018-01-030	JPJ2018-01-830	White		
JPJ2018-01-040	JPJ2018-01-840	Yellow		Fig. 2
JPJ1018-01-010	—	Black		
JPJ1018-01-020	—	Red		
JPJ1018-01-030	—	White		
JPJ1018-01-040	—	Yellow		

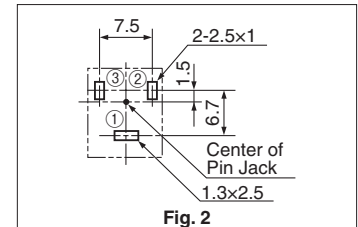
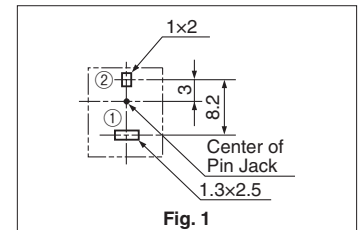


JPJ2022*

*JPJ1022 : See table.

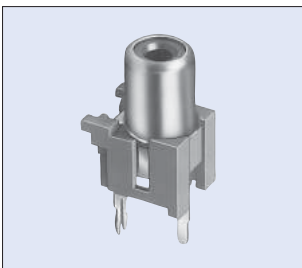
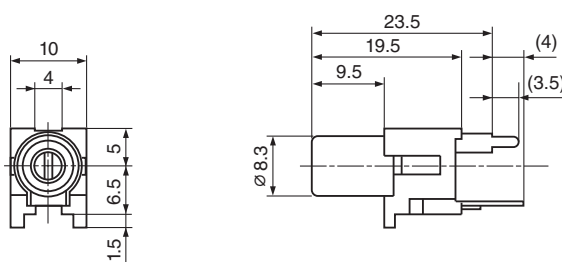

L=19.5mm


Model No.		Housing Color	Schematic	Hole Layout (Bottom view)
Cover Ni Plated	Cover Au Plated			
JPJ2022-01-010	JPJ2022-01-810	Black		Fig. 1
JPJ2022-01-020	JPJ2022-01-820	Red		
JPJ2022-01-030	JPJ2022-01-830	White		
JPJ2022-01-040	JPJ2022-01-840	Yellow		
JPJ1022-01-010	JPJ1022-01-810	Black		Fig. 2
JPJ1022-01-020	JPJ1022-01-820	Red		
JPJ1022-01-030	JPJ1022-01-830	White		
JPJ1022-01-040	JPJ1022-01-840	Yellow		

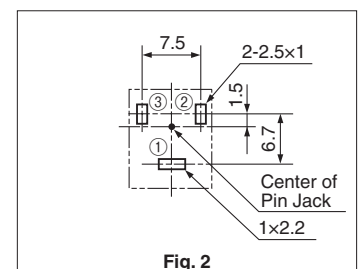
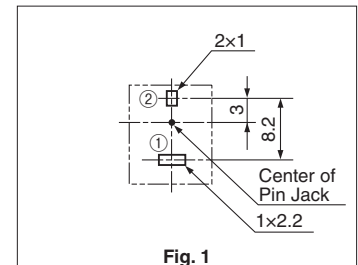


JPJ0870*

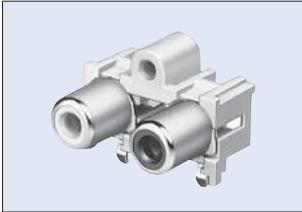
*JPJ0871 : See table.


L=23.5mm


Model No.		Housing Color	Schematic	Hole Layout (Bottom view)
Cover Ni Plated	Cover Au Plated			
JPJ0870-01-010	JPJ0870-01-810	Black		Fig. 1
JPJ0870-01-020	JPJ0870-01-820	Red		
JPJ0870-01-030	JPJ0870-01-830	White		
JPJ0870-01-040	JPJ0870-01-840	Yellow		
JPJ0871-01-010	JPJ0871-01-810	Black		Fig. 2
JPJ0871-01-020	JPJ0871-01-820	Red		
JPJ0871-01-030	JPJ0871-01-830	White		
JPJ0871-01-040	JPJ0871-01-840	Yellow		

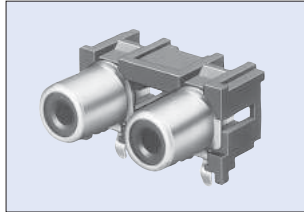


JPJ1611 / JPJ0811*



JPJ1611 H=6.5mm
JPJ2811 H=8mm

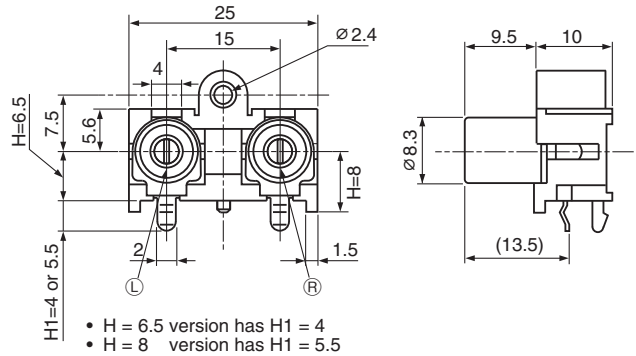
With Installation Hole



JPJ0811 H=6.5mm
JPJ1811 H=8mm

Without Installation Hole

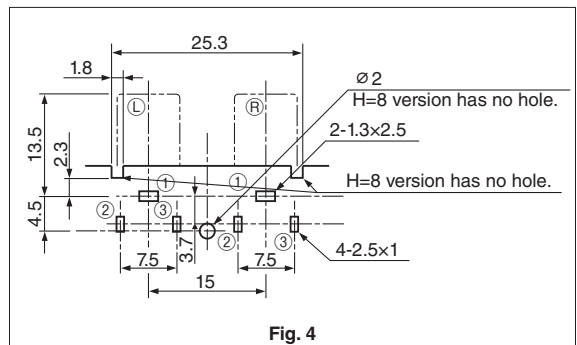
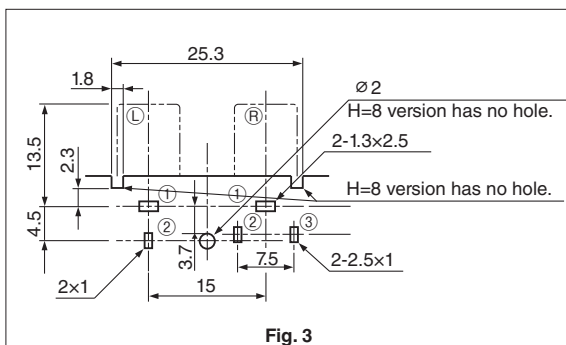
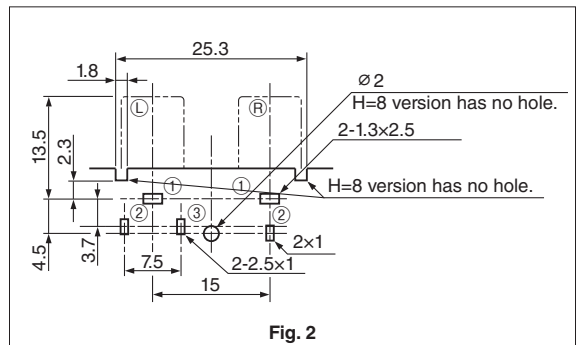
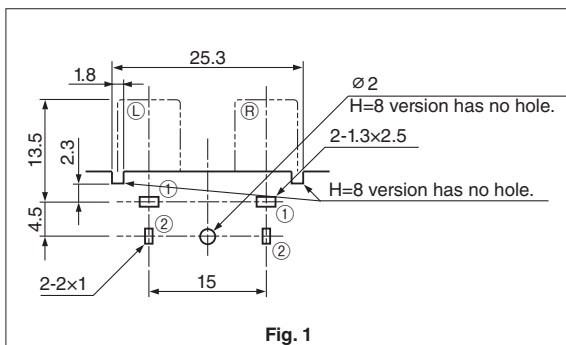
*JPJ0812, 0822, 1612, 1621, 1622, 1811, 2811, 2822 : See table.



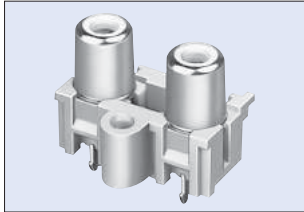
Model No.		H (mm)	Schematic	Hole Layout (Bottom view)
Installation Hole With	Installation Hole Without			
JPJ1611-010 (L) (R) 0 ※1	JPJ0811-01- (L) (R) 0 ※1	6.5		Fig. 1
JPJ2811-010 (L) (R) 0 ※1	JPJ1811-010 (L) (R) 0 ※1	8		
JPJ1621-010 (L) (R) 0	-	6.5		Fig. 2
JPJ1612-010 (L) (R) 0	JPJ0812-010 (L) (R) 0 ※1	6.5		Fig. 3
JPJ1622-810 (L) (R) 0	JPJ0822-01- (L) (R) 0 ※1	6.5		Fig. 4
JPJ2822-010 (L) (R) 0	-	8		

(L) & (R) indicate pin jack color No. below. (1: Black 2: Red 3: White 4: Yellow)

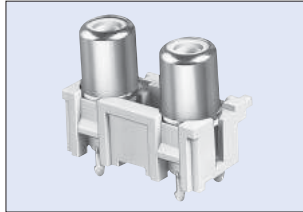
※1 When (L) -and (R) - pin jack have same color, No. (L) changes "0". Housing color is same with (L) pin jack.



JPJ3911 / JPJ3811*



JPJ3911
L=19.5mm

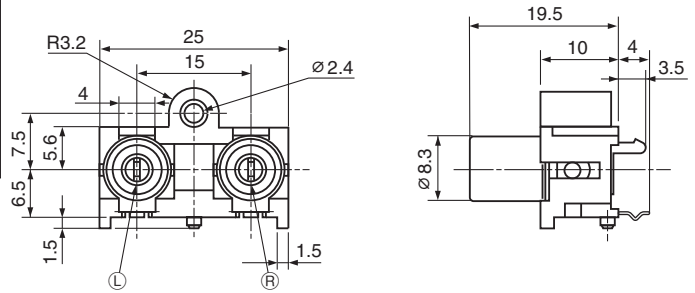


JPJ3811
L=19.5mm

With Installation Hole

Without Installation Hole

*JPJ3812, 3821, 3822, 3912, 3921 : See table.



Model No.		Schematic	Hole Layout (Bottom view)
Installation Hole With	Installation Hole Without		
JPJ3911-010 (L) (R) 0	JPJ3811-01- (L) (R) 0		Fig. 1
JPJ3921-010 (L) (R) 0	JPJ3821-010 (L) (R) 0		Fig. 2
JPJ3912-010 (L) (R) 0	JPJ3812-01- (L) (R) 0		Fig. 3
-	JPJ3822-01- (L) (R) 0 ※1		Fig. 4

(L) & (R) indicate pin jack color No. below. (1: Black 2: Red 3: White 4: Yellow)

When (L) -and (R) - pin jack have same color, No. (L) changes "0". Housing color is same with (L) pin jack.

※1 When (L) -and (R) - pin jack have same color, No. -(L) changes "00".

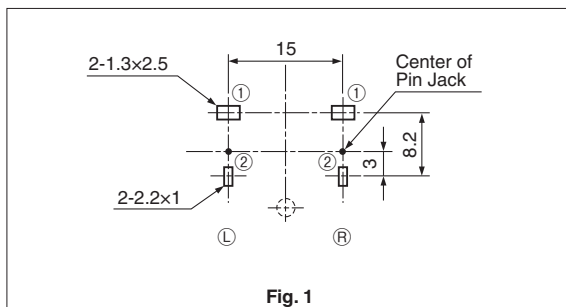


Fig. 1

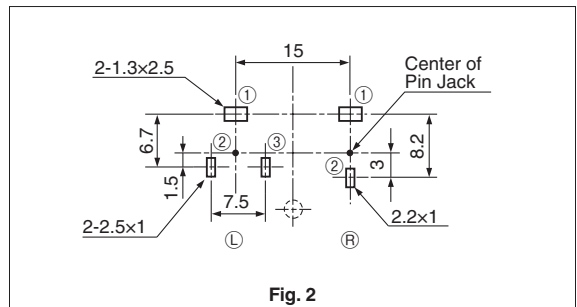


Fig. 2

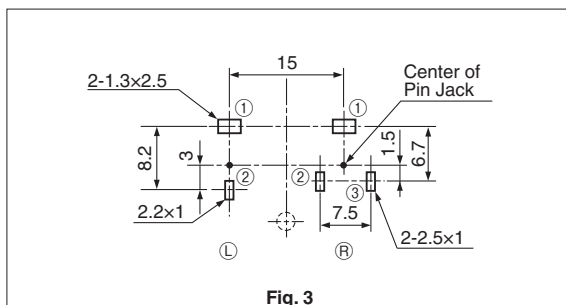


Fig. 3

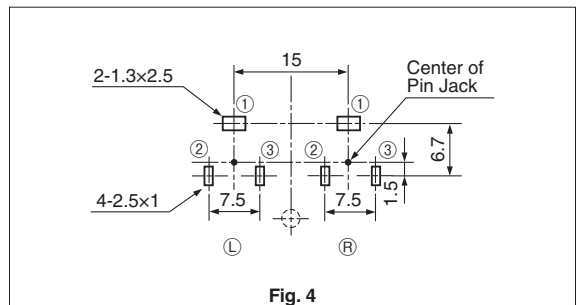
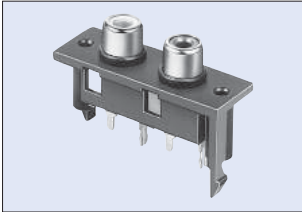


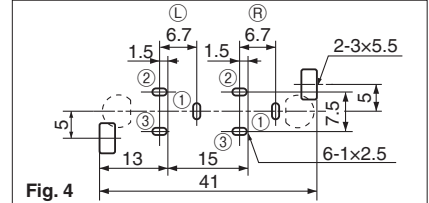
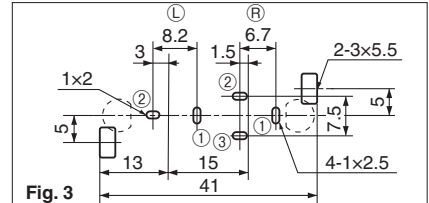
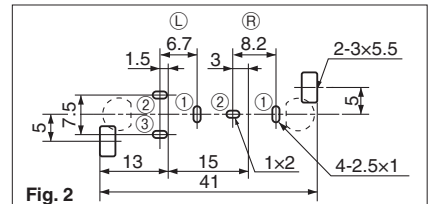
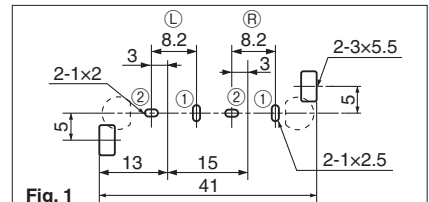
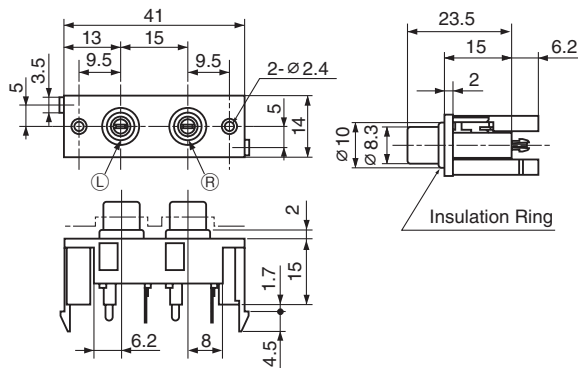
Fig. 4

JPJ1151*



L=23.5mm

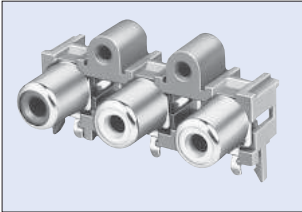
*JPJ1152, 1153, 1154, 1161 : See table.



Model No.		Schematic		Hole Layout (Bottom view)
Insulation Ring With	Insulation Ring Without	Ⓛ	Ⓡ	
JPJ1151-01- Ⓛ Ⓡ 0	JPJ1161-01- Ⓛ Ⓡ 0			Fig. 1
JPJ1154-01- Ⓛ Ⓡ 0	-			Fig. 2
JPJ1153-01- Ⓛ Ⓡ 0	-			Fig. 3
JPJ1152-810 Ⓛ Ⓡ 0	-			Fig. 4

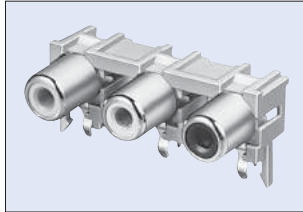
Ⓛ & Ⓡ indicate pin jack color No. below. (1: Black 2: Red 3: White 4: Yellow)

JPJ4668 / JPJ3668



JPJ4668 H=6.5mm
JPJ4648 H=8mm

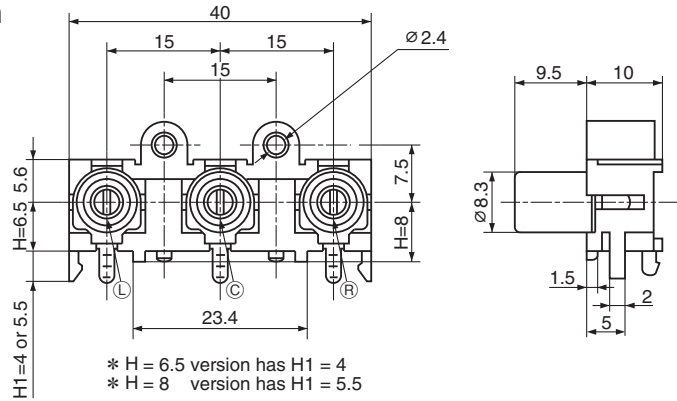
With Installation Hole



JPJ3668 H=6.5mm
JPJ3648 H=8mm

Without Installation Hole

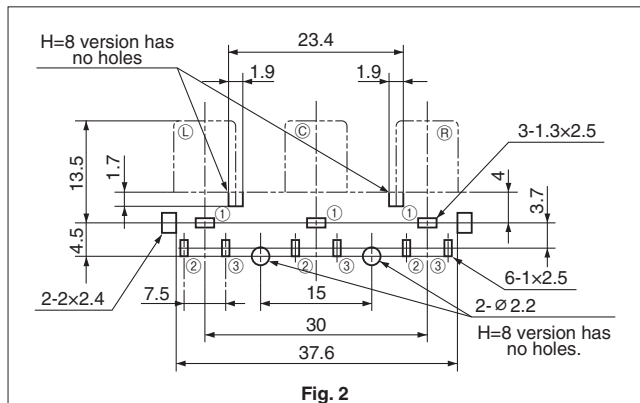
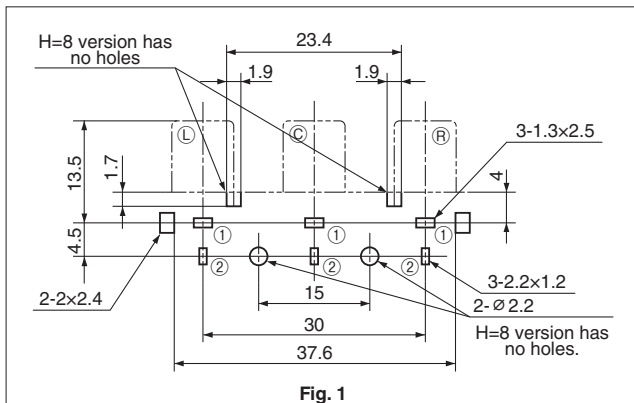
*JPJ3661, 3662, 3663, 3666, 3667, 4663, 4666, 4667 : See table.



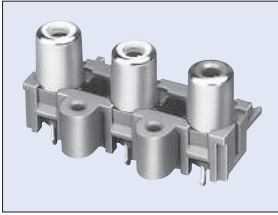
Model No. L © ®

Model No.		Dimension H (mm)	Schematic			Hole Layout (Bottom view)
Installation Hole With	Installation Hole Without		Ⓛ	©	®	
-	JPJ3661-010	6.5				-
-	JPJ3662-01-	6.5				-
JPJ4663-010	JPJ3663-010	6.5				-
JPJ4666-01-	JPJ3666-01-	6.5				-
JPJ4667-01-	JPJ3667-010	6.5				Fig.2
JPJ4668-01-	JPJ3668-01-	6.5				Fig.1
JPJ4648-010	JPJ3648-810	8				Fig.1

Ⓛ, © and ® indicate pin jack color No. below. (1: Black 2: Red 3: White 4: Yellow) Housing color is same with Ⓛ pin jack.

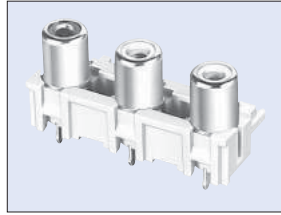


JPJ4658 / JPJ3658*



JPJ4658
L=19.5mm

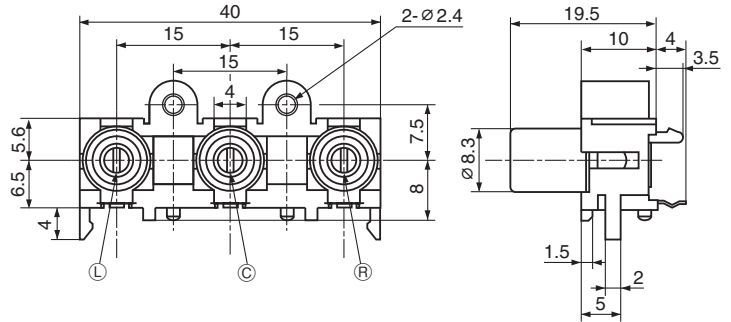
With Installation Hole



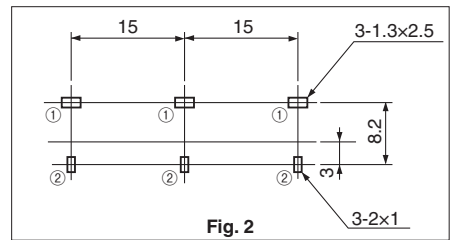
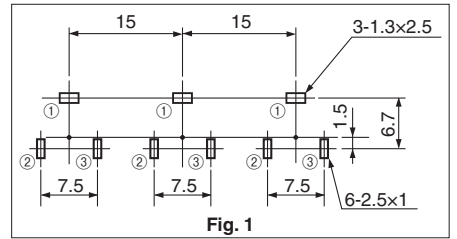
JPJ3658
L=19.5mm

Without Installation Hole

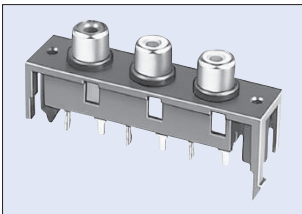
*JPJ3651, 3653, 3656, 3657, 4657 : See table.



Model No.		Schematic			Hole Layout (Bottom view)
Installation Hole With	Installation Hole Without	L	C	R	
-	JPJ3651				-
-	JPJ3653				-
-	JPJ3656				-
JPJ4657	JPJ3657				Fig. 1
JPJ4658	JPJ3658				Fig. 2

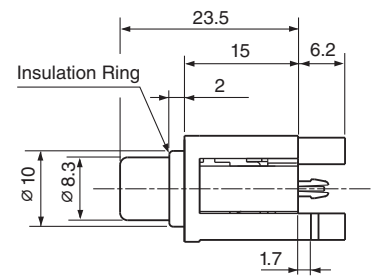
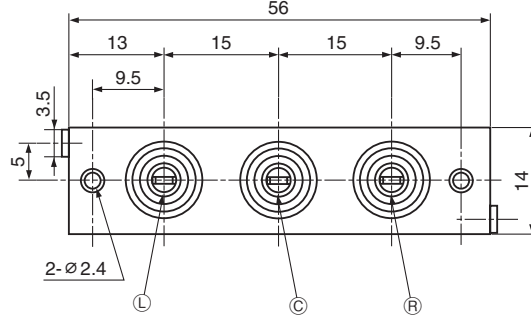


JPJ1451*

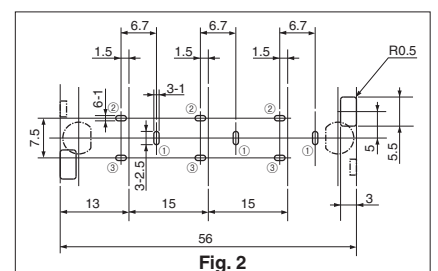
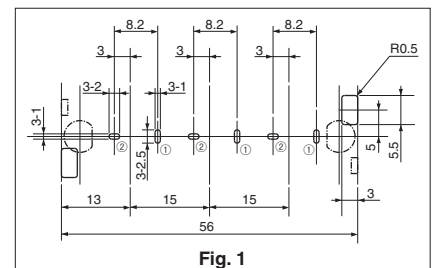


L=23.5mm

*JPJ1452, 1453, 1456, 1461, 1466 : See table.



Model No.		Schematic			Hole Layout (Bottom view)
Insulation Ring With	Insulation Ring Without	L	C	R	
JPJ1451	JPJ1461				Fig. 1
JPJ1452	-				Fig. 2
JPJ1453	-				-
JPJ1456	JPJ1466				-



Model No. Table

Model No.	Page				
JPJ0811	8	JPJ1161	10	JPJ2082	3
JPJ0812	8	JPJ1225	5	JPJ2811	8
JPJ0822	8	JPJ1451	12	JPJ2822	8
JPJ0870	7	JPJ1452	12	JPJ3648	11
JPJ0871	7	JPJ1453	12	JPJ3651	12
JPJ0873	3	JPJ1456	12	JPJ3653	12
JPJ1018	6	JPJ1461	12	JPJ3656	12
JPJ1022	7	JPJ1466	12	JPJ3657	12
JPJ1025	5	JPJ1611	8	JPJ3658	12
JPJ1081	3	JPJ1612	8	JPJ3661	11
JPJ1082	3	JPJ1621	8	JPJ3662	11
JPJ1085	5	JPJ1622	8	JPJ3663	11
JPJ1151	10	JPJ1811	6	JPJ3666	11
JPJ1152	10	JPJ2018	6	JPJ3667	11
JPJ1153	10	JPJ2022	7	JPJ3668	11
JPJ1154	10	JPJ2025	5	JPJ3811	9
				JPJ3333	12
				JPJ3338	12
				JPJ3381	12
				JPJ3382	12
				JPJ3383	12
				JPJ3384	12
				JPJ3385	12
				JPJ3386	12
				JPJ3387	12
				JPJ3388	12
				JPJ3389	12
				JPJ3390	12
				JPJ3391	12
				JPJ3392	12
				JPJ3393	12
				JPJ3394	12
				JPJ3395	12
				JPJ3396	12
				JPJ3397	12
				JPJ3398	12
				JPJ3399	12
				JPJ3400	12
				JPJ3401	12
				JPJ3402	12
				JPJ3403	12
				JPJ3404	12
				JPJ3405	12
				JPJ3406	12
				JPJ3407	12
				JPJ3408	12
				JPJ3409	12
				JPJ3410	12
				JPJ3411	12
				JPJ3412	12
				JPJ3413	12
				JPJ3414	12
				JPJ3415	12
				JPJ3416	12
				JPJ3417	12
				JPJ3418	12
				JPJ3419	12
				JPJ3420	12
				JPJ3421	12
				JPJ3422	12
				JPJ3423	12
				JPJ3424	12
				JPJ3425	12
				JPJ3426	12
				JPJ3427	12
				JPJ3428	12
				JPJ3429	12
				JPJ3430	12
				JPJ3431	12
				JPJ3432	12
				JPJ3433	12
				JPJ3434	12
				JPJ3435	12
				JPJ3436	12
				JPJ3437	12
				JPJ3438	12
				JPJ3439	12
				JPJ3440	12
				JPJ3441	12
				JPJ3442	12
				JPJ3443	12
				JPJ3444	12
				JPJ3445	12
				JPJ3446	12
				JPJ3447	12
				JPJ3448	12
				JPJ3449	12
				JPJ3450	12
				JPJ3451	12
				JPJ3452	12
				JPJ3453	12
				JPJ3454	12
				JPJ3455	12
				JPJ3456	12
				JPJ3457	12
				JPJ3458	12
				JPJ3459	12
				JPJ3460	12
				JPJ3461	12
				JPJ3462	12
				JPJ3463	12
				JPJ3464	12
				JPJ3465	12
				JPJ3466	12
				JPJ3467	12
				JPJ3468	12
				JPJ3469	12
				JPJ3470	12
				JPJ3471	12
				JPJ3472	12
				JPJ3473	12
				JPJ3474	12
				JPJ3475	12
				JPJ3476	12
				JPJ3477	12
				JPJ3478	12
				JPJ3479	12
				JPJ3480	12
				JPJ3481	12
				JPJ3482	12
				JPJ3483	12
				JPJ3484	12
				JPJ3485	12
				JPJ3486	12
				JPJ3487	12
				JPJ3488	12
				JPJ3489	12
				JPJ3490	12
				JPJ3491	12
				JPJ3492	12
				JPJ3493	12
				JPJ3494	12
				JPJ3495	12
				JPJ3496	12
				JPJ3497	12
				JPJ3498	12
				JPJ3499	12
				JPJ3500	12
				JPJ3501	12
				JPJ3502	12
				JPJ3503	12
				JPJ3504	12
				JPJ3505	12
				JPJ3506	12
				JPJ3507	12
				JPJ3508	12
				JPJ3509	12
				JPJ3510	12
				JPJ3511	12
				JPJ3512	12
				JPJ3513	12
				JPJ3514	12
				JPJ3515	12
				JPJ3516	12
				JPJ3517	12
				JPJ3518	12
				JPJ3519	12
				JPJ3520	12
				JPJ3521	12
				JPJ3522	12
				JPJ3523	12
				JPJ3524	12
				JPJ3525	12
				JPJ3526	12
				JPJ3527	12
				JPJ3528	12
				JPJ3529	12
				JPJ3530	12
				JPJ3531	12
				JPJ3532	12
				JPJ3533	12
				JPJ3534	12
				JPJ3535	12
				JPJ3536	12
				JPJ3537	12
				JPJ3538	12
				JPJ3539	12
				JPJ3540	12
				JPJ3541	12
				JPJ3542	12
				JPJ3543	12
				JPJ3544	12
				JPJ3545	12
				JPJ3546	12
				JPJ3547	12
				JPJ3548	12
				JPJ3549	12
				JPJ3550	12
				JPJ3551	12
				JPJ3552	12
				JPJ3553	12
				JPJ3554	12
				JPJ3555	12
				JPJ3556	12
				JPJ3557	12
				JPJ3558	12
				JPJ3559	12
				JPJ3560	12
				JPJ3561	12
				JPJ3562	12
				JPJ3563	12
				JPJ3564	12
				JPJ3565	12
				JPJ3566	12
				JPJ3567	12
				JPJ3568	12
				JPJ3569	12
				JPJ3570	12
				JPJ3571	12
				JPJ3572	12
				JPJ3573	12
				JPJ3574	12
				JPJ3575	12
				JPJ3576	12
				JPJ3577	12
				JPJ3578	12
				JPJ3579	12
				JPJ3580	12
				JPJ3581	12
				JPJ3582	12
				JPJ3583	12
				JPJ3584	12
				JPJ3585	12
				JPJ3586	12
				JPJ3587	12
				JPJ3588	12
				JPJ3589	12
				JPJ3590	12
				JPJ3591	12
				JPJ3592	12
				JPJ3593	12
				JPJ3594	12
				JPJ3595	12
				JPJ3596	12
				JPJ3597	12
				JPJ3598	12
				JPJ3599	12
				JPJ3600	12
				JPJ3601	12
				JPJ3602	12
				JPJ3603	12
				JPJ3604	12
				JPJ3605	12
				JPJ3606	12
				JPJ3607	12
				JPJ3608	12
				JPJ3609	12
				JPJ3610	12
				JPJ3611	12
				JPJ3612	12
				JPJ3613	12
				JPJ3614	12
				JPJ3615	12
				JPJ3616	12
				JPJ3617	12
				JPJ3618	12
				JPJ3619	12
				JPJ3620	12
				JPJ3621	12
				JPJ3622	12
				JPJ3623	12
				JPJ3624	12
				JPJ3625	12
				JPJ3626	12
				JPJ3627	12
				JPJ3628	12
				JPJ3629	12
				JPJ3630	12
				JPJ3631	12
				JPJ3632	12
				JPJ3633	12
				JPJ3634	12
				JPJ3635	12
				JPJ3636	12
				JPJ3637	12
				JPJ3638	12
				JPJ3639	12
				JPJ3640	12
				JPJ3641	12
				JPJ3642	12
				JPJ3643	12
				JPJ3644	12
				JPJ3645	12
				JPJ3646	12
				JPJ3647	12
				JPJ3648	12
				JPJ3649	12
				JPJ3650	12
				JPJ3651	12
				JPJ3652	12
				JPJ3653	12
				JPJ3654	12
				JPJ3655	12
				JPJ3656	12
				JPJ3657	12
				JPJ3658	12
				JPJ3659	12
				JPJ3660	12
				JPJ3661	12
				JPJ3662	12
				JPJ3663	12
				JPJ3664	12
				JPJ3665	12
				JPJ3666	12
				JPJ3667	12
				JPJ3668	12
				JPJ3669	12
				JPJ3670	12
				JPJ3671	12
				JPJ3672	12
				JPJ3673	12
				JPJ3674	12
				JPJ3675	12